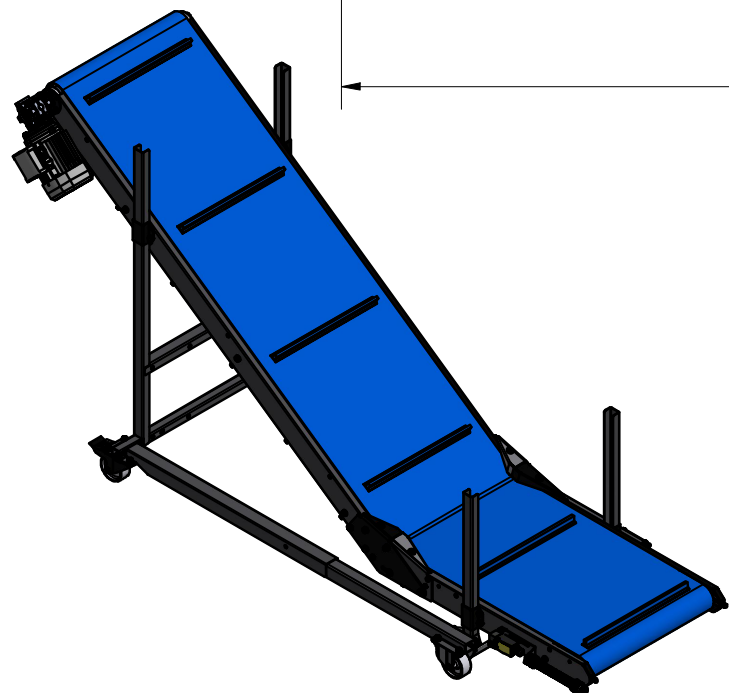
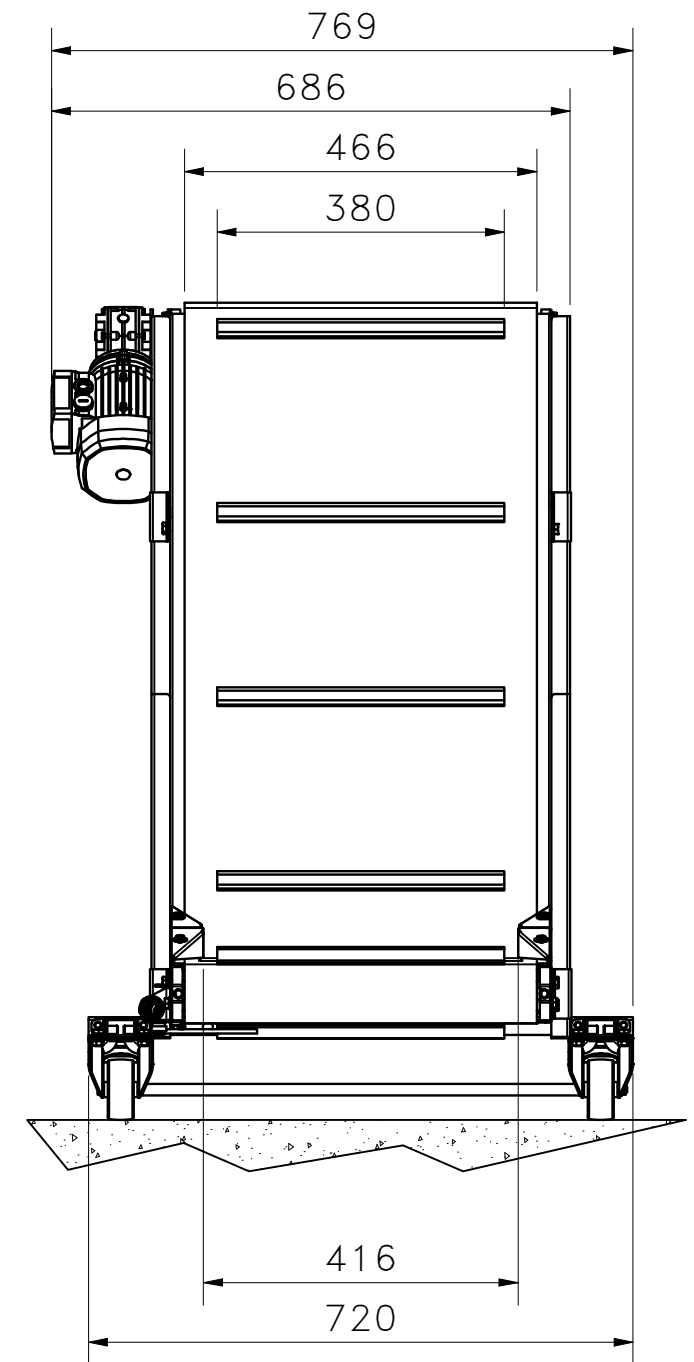
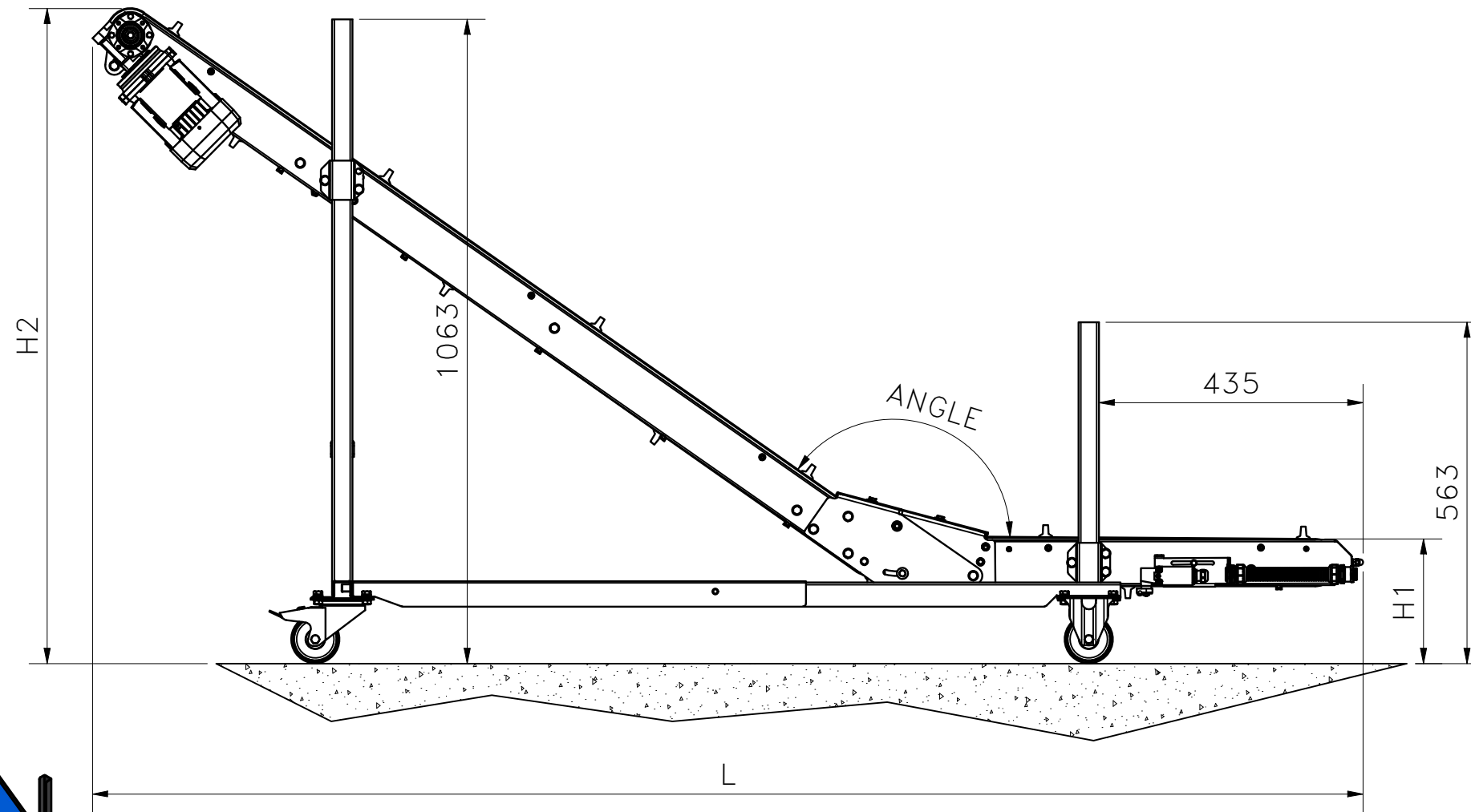


DIMENSIONS			
ANGLE	H1	H2 (DEPENDS ON H1)	L
145°	182-437	1056-1314	2095
155°	182-568	537-905	2217
165°	182-568	537-655	2296



remarks:	date: 6-2-2019	scale: 1 : 10	weight: 70,895 kg	revision:	drawn by:	date:
page: 1#3	sheet: A3	check:	tolerance: ISO 2768/1101	△		
projection: ⊕ ⊖	drawn by: EB	material:		△		
drawing name: AUDION 400 ATBI			drawing number: 400 ATBI-800			

This publication, or parts thereof, may not be reproduced in any form, by any method, for any purpose.